

# Installation Guide



## **7 SERIES**

Professional TurboChef Speedcook Double Oven

VDOT730

# Table of Contents

Warnings and Important Information _____	3
Dimensions _____	6
Specifications _____	7
Cutout Dimensions _____	8
General Information _____	9
Installation _____	10
Performance Checklist _____	14
Control Panel _____	14
Service & Registration _____	15

# IMPORTANT – Please Read and Follow!

- Before beginning, please read these instructions completely and carefully.
- **DO NOT** remove permanently affixed labels, warnings, or plates from product. This may void the warranty.
- All local and national codes and ordinances must be observed. Installation must conform with local codes. Verify your appliance has been properly connected and grounded in accordance with local codes or in absence of codes, with the National Electrical Code (NEC). ANSI/NFPA 70-latest edition.
- The installer must leave these instructions with the consumer who should retain for local inspector's use and for future reference.

**In Massachusetts:** This appliance must be installed by a Massachusetts licensed plumber or electrician.

**In Canada:** Installation must be in accordance with the current CSA C22.1 Canadian Electrical Codes Part 1 and/or local codes.

**Your safety and the safety of others is very important.**

We have provided many important safety messages in this manual and on your appliance. **ALWAYS** read and obey all safety messages.



This is the safety alert symbol. This symbol alerts you to hazards that can kill or hurt you and others.

All safety messages will be preceded by the safety alert symbol and the word "DANGER" or "WARNING" or "CAUTION." These words mean:

## **DANGER**

**You will be killed or seriously injured if you don't follow instructions.**

## **WARNING**

**You can be killed or seriously injured if you don't follow instructions.**

## **CAUTION**

**Hazards or unsafe practices which COULD result in minor personal injury or property damage.**

All safety messages will identify the hazard, tell you how to reduce the chance of injury, and tell you what can happen if the instructions are not followed.

# IMPORTANT – Please Read and Follow!

**A GFI shall be used if required by NFPA-70 (National Electric Code), federal/state/local laws, or local ordinances.**

- The required use of a GFI is normally related to the location of a receptacle with respect to any significant sources of water or moisture.
- Viking Range, LLC will **NOT** warranty any problems resulting from GFI outlets which are not installed properly or do not meet the requirements below.

**If the use of a GFI is required,** it should be:

- Of the receptacle type (breaker type or portable type **NOT** recommended)
- Used with permanent wiring only (temporary or portable wiring **NOT** recommended)
- On a dedicated circuit (no other receptacles, switches or loads in the circuit)
- Connected to a standard breaker of appropriate size (GFI breaker of the same size **NOT** recommended)
- Rated for Class A (5 mA +/- 1 mA trip current) as per UL 943 standard
- In good condition and free from any loose-fitting gaskets (if applicable in outdoor situations)
- Protected from moisture (water, steam, high humidity) as much as reasonably possible

# IMPORTANT – Please Read and Follow!

## **WARNING**

To prevent possible damage to cabinets and cabinet finishes, use only materials and finishes that will not discolor or delaminate and will withstand temperatures up to 194°F (90°C). Heat resistant adhesive must be used if the product is to be installed in laminated cabinetry. Check with your builder or cabinet supplier to make sure that the materials meet these requirements.

## **WARNING**

The use of cabinets for storage above the oven may result in potential fire or burn hazard.

## **WARNING**

The misuse of the oven door(s) (e.g. stepping, sitting, or leaning on them) can result in hazards or injuries and damage to the product.

## **WARNING**

This appliance should not be used for space heating. This information is based on safety considerations.

## **CAUTION**

During installation **DO NOT** remove the top door of the double wall oven. **DO NOT** push on the outer trim. Doing so could cause the doors to misalign, requiring repair and/or replacement.

## **DANGER**



### **ELECTRICAL SHOCK HAZARD**

To avoid risk of electrical shock, personal injury or death; verify your appliance has been properly connected and grounded in accordance with local codes or in absence of codes, with the National Electrical Code (NEC). ANSI/NFPA 70-latest edition.

## **WARNING**

### **ELECTRICAL FIRE HAZARD**

Improper connection of aluminum house wiring to copper leads can result in an electrical hazard or fire. Use only connectors designed for joining copper to aluminum and follow the manufacturer's recommended procedure closely.

## **WARNING**



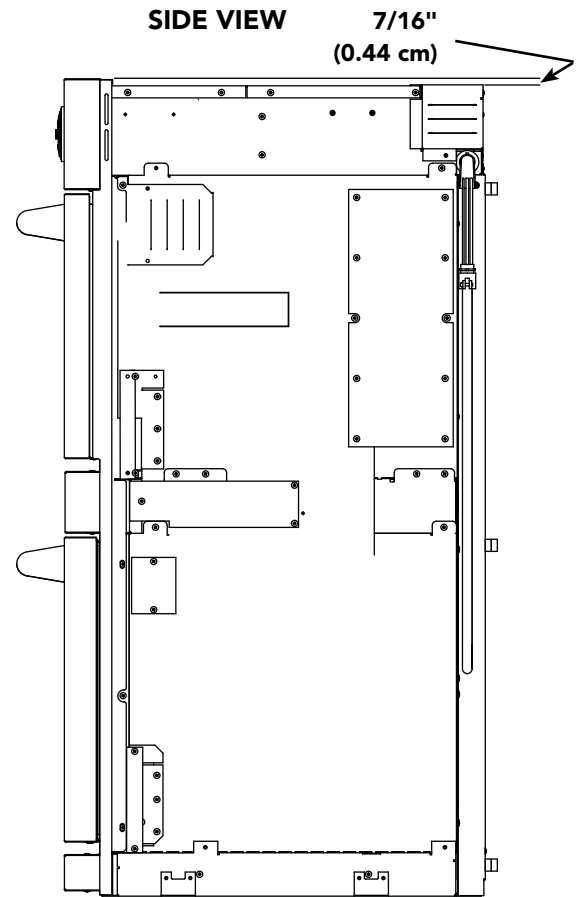
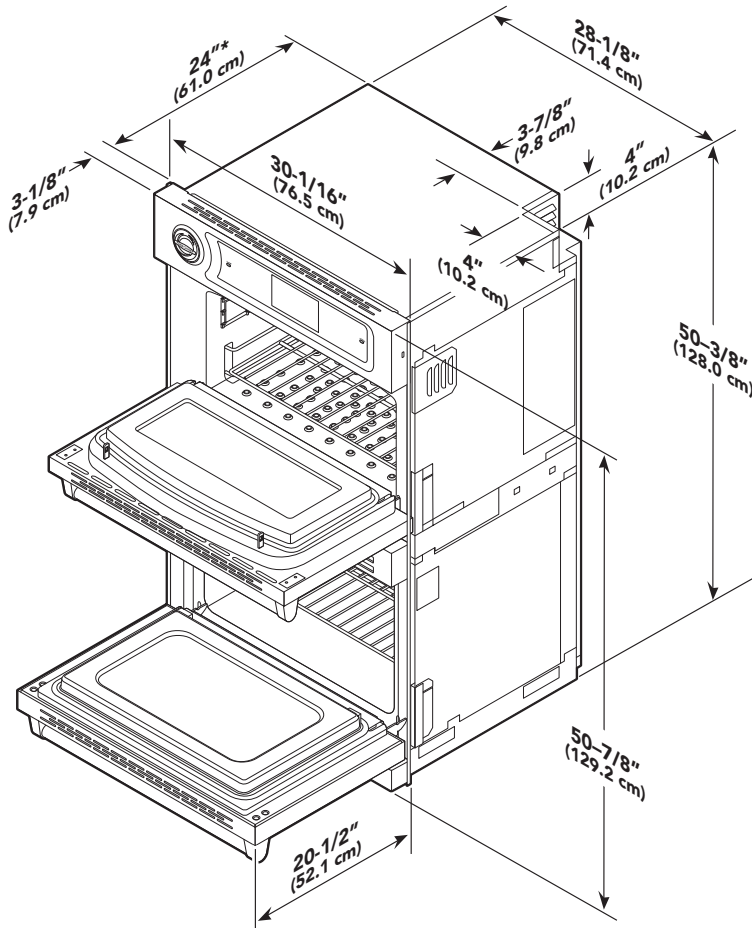
### **MOVING HAZARD**

To avoid risk of severe personal injury; this appliance requires two or more personnel while handling and moving. Possible use of appliance moving devices is recommended.

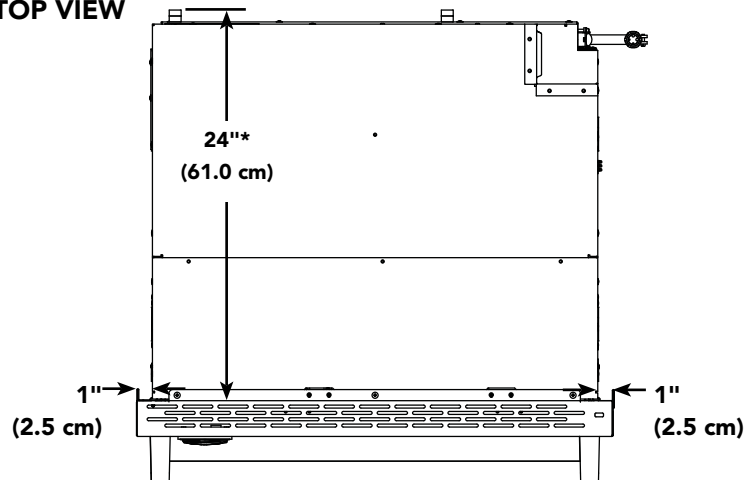
## **WARNING**

**DO NOT** use the handle or oven door to lift the oven. Remove lower door before installation to ensure that it is not used to lift the unit. Make sure latches are properly locked in place before removing door to prevent injury to hands and/or fingers.

# Dimensions



TOP VIEW



\*Includes standoffs -  
DO NOT REMOVE the standoffs

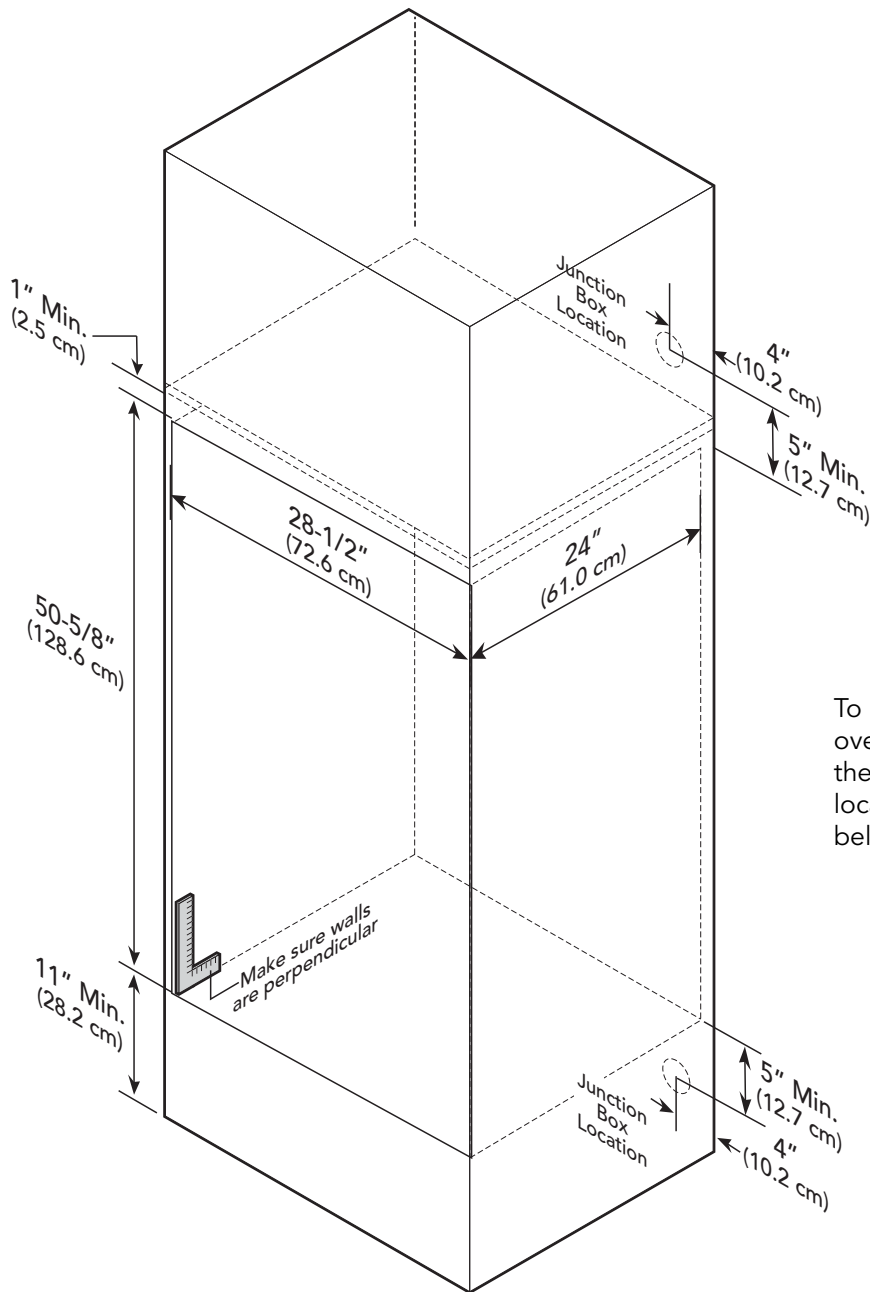
# Specifications

<b>TurboChef Double Oven</b>	
Description	V DOT730
Product width outside cabinet	30-1/16" (76.5 cm)
Product height outside cabinet	50-7/8" (129.2 cm)
Product depth outside cabinet	cabinet to front of display/doors — 3-1/8" (7.9 cm) with bottom door open — 20-1/2" (52.1 cm)
Cutout height	50-5/8" (128.6 cm)
Cutout depth	24" (61.0 cm)
Cutout width	28-1/2" (72.4 cm)
Electrical requirements	4-wire ground, 240-208VAC, 50 amp electrical connection Unit equipped with No.10 ground wire in conduit. Should be fused separately.
Maximum amp usage	45.0 amps—240 VAC / 45.0 amps-208 VAC*
Oven Interior Width	upper oven 24" (61.0 cm) lower oven 24" (61.0 cm)
Oven Interior Height	upper oven 12" (30.5 cm) lower oven 15-1/2" (39.4 cm)
Oven Interior Depth	upper oven 16" (40.6 cm) lower oven 17-1/2" (44.5 cm)
Oven Volume (total oven cavity)	upper oven 2.7 cu. ft. lower oven 3.8 cu. ft.
Approximate shipping weight	490 lbs. (223 kg.)

\*LV DOT730 model

# Cutout Dimensions

## VDOT730 TurboChef Double Oven



To obtain proper fit of the oven into the cabinets, the junction box must be located either above or below the oven opening.



# General Information

- All openings in the wall behind the appliance or in the floor under the appliance should be sealed.
- Keep appliance area clear and free from combustible materials, gasoline and other flammable vapors.
- Disconnect the electrical supply prior to servicing.
- When removing the appliance for service, disconnect AC power supply and carefully remove the appliance by pulling forward.
- **CAUTION:** The oven is heavy – use care when handling!
- Electrical requirements are listed in the product specifications under the electrical requirements section.

## Recommendations for Unpacking

- Products are shipped on pallets with foam footings and corrugated inner-packing
- Products are anchored to the pallet using metal straps that are screwed to the bottom of the product and the pallet.
- **DO NOT** remove protective packaging until you are ready to perform the installation.
- Remove the corrugated cover by lifting it off the product and remove the innerpacking.
- Detach the product from the metal anchor strip by removing the attachment screw.
- **DO NOT** remove the protective wrapping from the product control panel until the product is installed.

### CAUTION

Avoid any damage to oven vents. The vents need to be unobstructed and open to provide proper airflow for optimal oven performance.

## Recommendations for Moving

- The appliance is heavy – use extreme care when handling!
- **WARNING: DO NOT** use the handle or oven door to lift the oven. Remove lower door before installation to ensure that it is not used to lift the unit. **DO NOT remove the upper door.** Make sure latches are properly locked before removing door to prevent personal injury to hands and/or fingers. **DO NOT lift or carry the door by the handle.**
- Only proper equipment should be used to move products.
- **ALWAYS** take steps to protect flooring at the installation location when moving products. Exposed floor surfaces should be protected by applying laminate or plywood sheets. Failure to do so may result in scarring and damaging the homeowner's floor

## Site Preparation

**Note:** It is recommended that a thorough site inspection be conducted PRIOR to unpacking and moving this appliance.

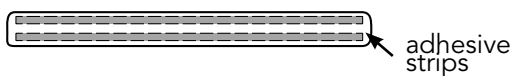
- Confirm available access to adequate power – see electrical requirements.  
–Double oven units require a 50 amp circuit.
- It is recommended that 3/4" or larger material be utilized to create a support platform for this appliance.
- A minimum of 2" (5.1 cm) spacing above and below the oven trim and 2" (5.1 cm) spacing from side trims to any adjacent items or walls is required for ventilation purposes.

# Installation

- **BE SURE** that support for this appliance is perpendicular to the front facing of the wall or cabinet before you perform the installation.
- It is recommended to use standard 2 x 4 support posts with a minimum of 3/4" (1.9 cm) solid base to support the oven. Support posts should be level with the floor line and well-secured to the base of the cabinet. Base cabinet support must be able to support the oven's weight - 410 lbs. (186 kg).
- Use of a hydraulic lift is recommended for the installation of double oven units.
- All openings in the wall behind the appliance or in the floor under the appliance should be sealed.
- Keep appliance area clear and free from combustible materials, gasoline and other flammable vapors.
- **WARNING: DO NOT USE AN EXTENSION CORD WITH THIS APPLIANCE. SUCH USE MAY RESULT IN FIRE, ELECTRICAL SHOCK OR OTHER PERSONAL INJURY.**

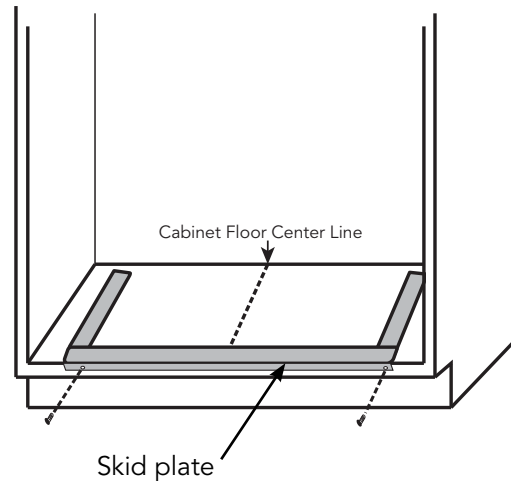
## Cabinet Skid Plate and Side Rails

Two 21" (53.3 cm) slide rails and one 28" (71.1 cm) skid plate have been included to help install the oven into your cabinet more easily by providing a flat smooth surface on which to slide the oven into place. The skid plate and slide rails are flat metal strips with adhesive tape strips on one side.



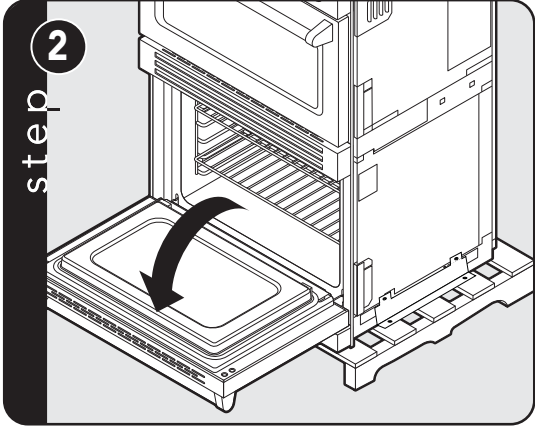
Attach the skid plate before installing the two slide rails. If possible, the rails should be placed on top of any studs that might be located under the cabinet interior floor.

1. Remove adhesive backing from skid plate. Center across the inside front of the cabinet opening with flange and screw locations on front outer edge. Screw into place with enclosed screws.
2. Remove adhesive backing from one of the slide rails.
3. Place the slide rail left of the center line on the cabinet floor (adhesive side down) flush with the outer edges of the skid plate. Press the slide rail down firmly against the cabinet floor.
4. Repeat step 3 for the second slide rail.

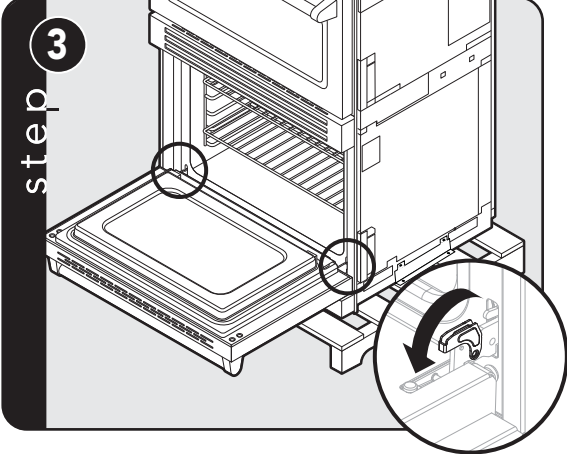


Remove wooden brace on front of pallet.

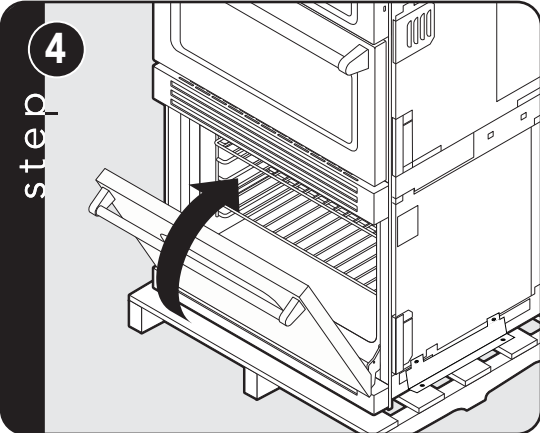
# Installation (cont.)



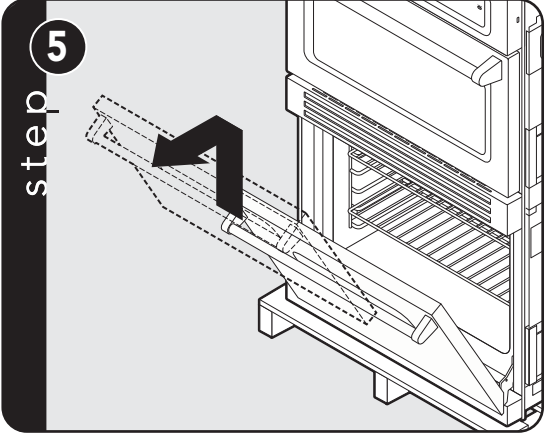
Open lower oven door completely.



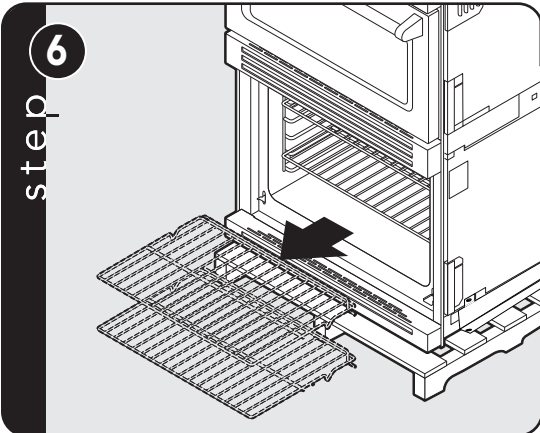
Fold latches backward until locked in place



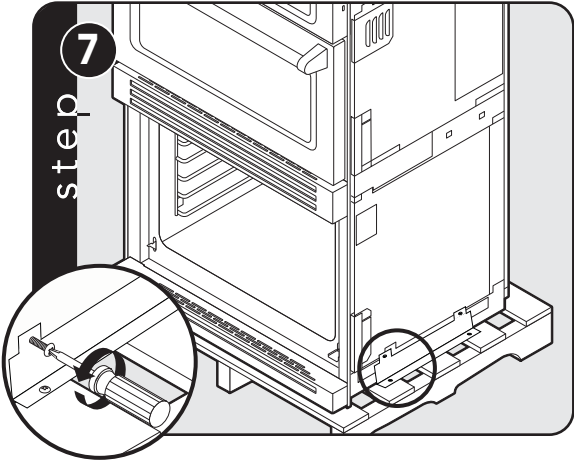
Slowly close until latches stop door.



Lift door up and out.



Remove racks.



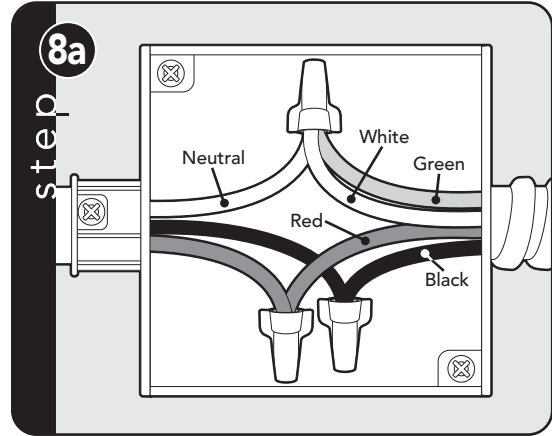
Unscrew pallet screws from side of oven.

# Installation (cont.)

## ⚠ WARNING

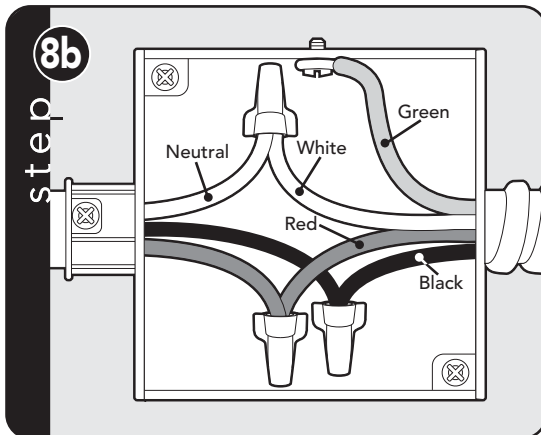
### ELECTRICAL FIRE HAZARD

Improper connection of aluminum house wiring to copper leads can result in an electrical hazard or fire. Use only connectors designed for joining copper to aluminum and follow the manufacturer's recommended procedure closely.



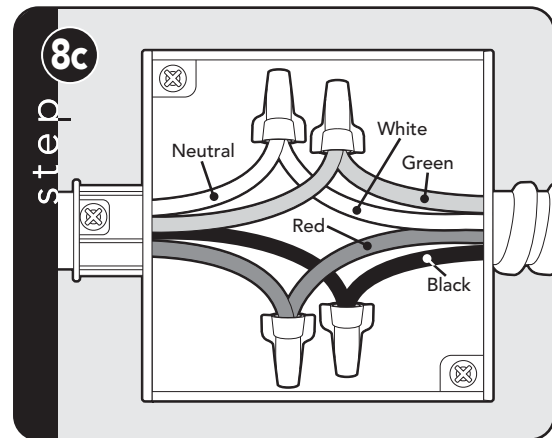
#### Wiring option 1

(connect the white and green to the incoming neutral)



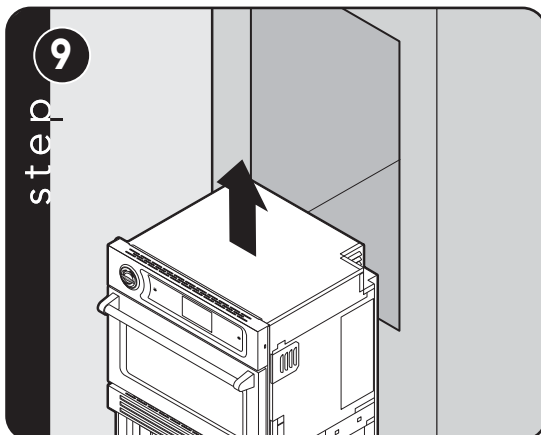
#### Wiring option 2

(connect the white to the incoming neutral, attach green to grounded junction box)

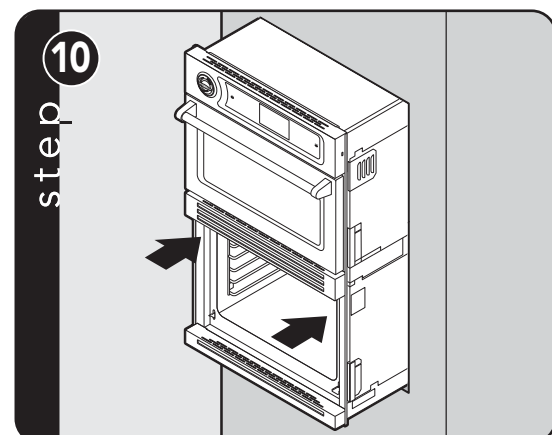


#### Wiring option 3

(connect the white to the incoming neutral, attach green to suitable ground)

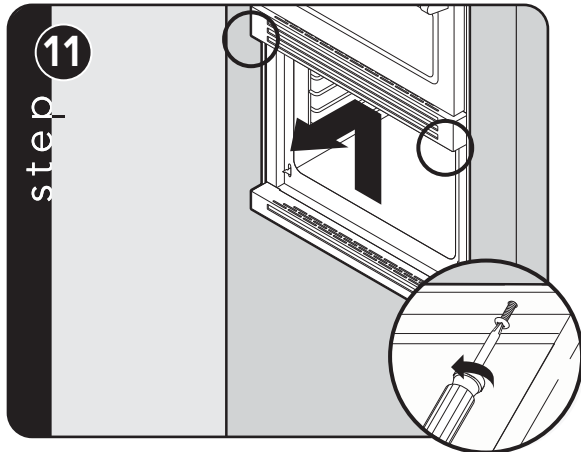


Lift oven into position.

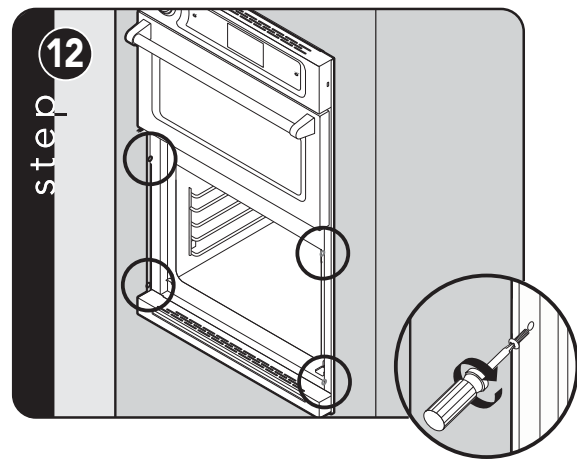


Push oven straight in.

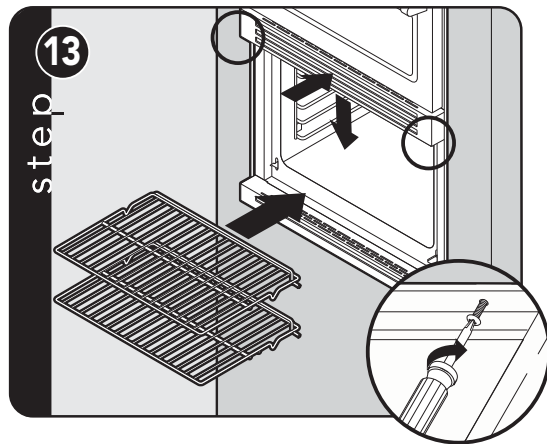
# Installation (cont.)



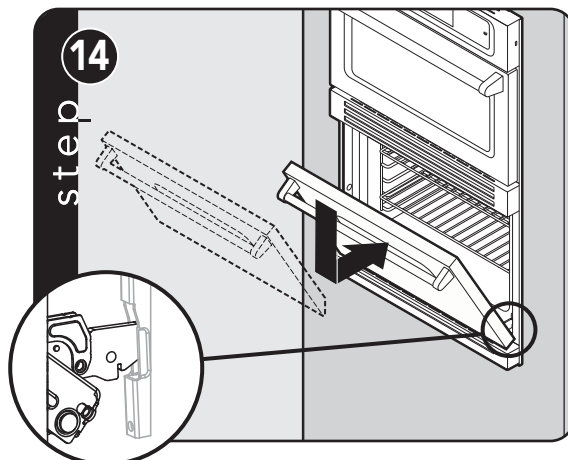
Remove center grille by removing screws underneath grille. Push grille up and pull out.



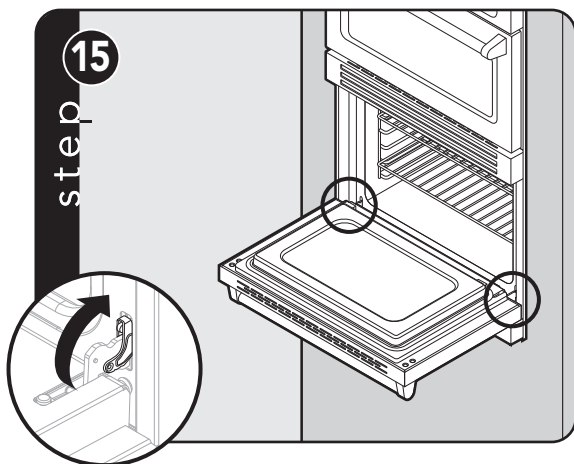
Attach screws thru the framing from front of unit on both sides in the center and bottom. There are no mounting holes at the top.



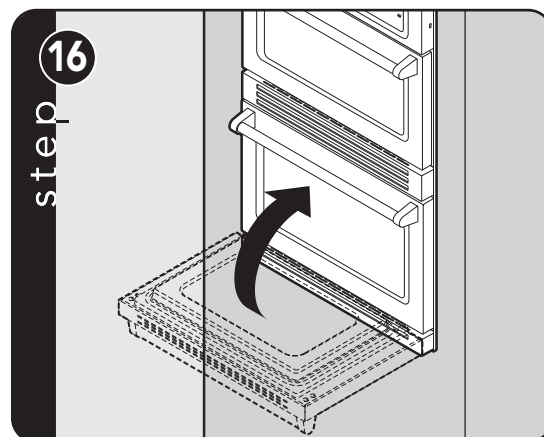
Replace center grille by pushing in and down. Replace screws underneath grille. Replace racks.



Reattach door to oven.



Open door completely. Fold latches forward until locked in place.



Close door.

# Performance Checklist – Lower Oven

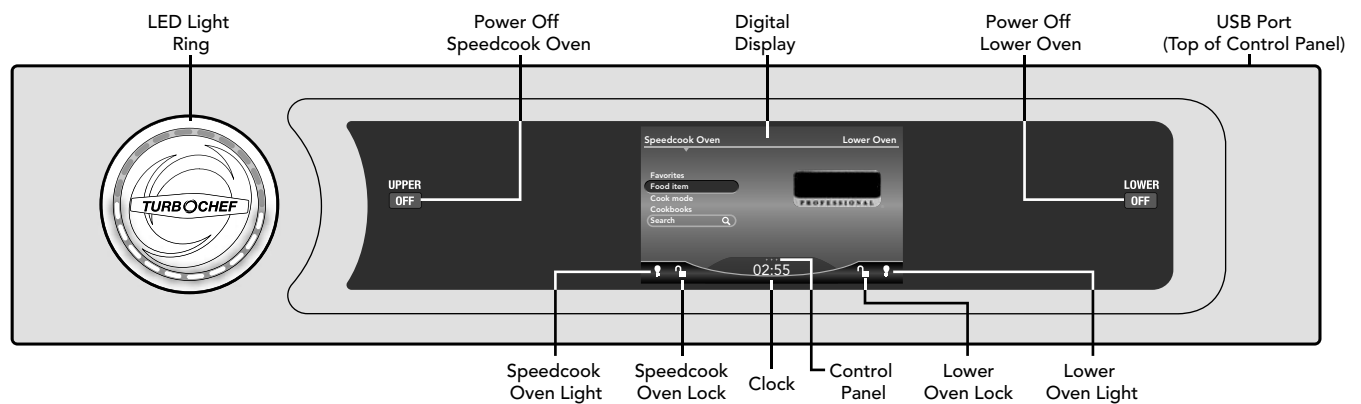
## Loading the Software

This first time you turn on the oven after installation, the oven will load the software. This process should take no longer than 10 minutes. **DO NOT** attempt to operate the oven while the software is loading.

**Note:** If necessary to relaunch the software, hold down the left (upper) power off button for 5 seconds.

**Note:** To fully relaunch software and the memory and program code (the "firmware"), the oven must be powered off at the circuit breaker.

## Control Panel



A qualified installer should carry out the following checks:

1. Check oven bake function—bake element on full power, center and outside broil elements at partial power. Convection bake function—bake and broil elements the same with the convection fan on.
2. Check high broil function—both broil elements at full power. Convection broil function is the same with convection fan on.
3. Check low broil function—inner broil element only.
4. Check self-clean function—Door will lock in approximately 30 seconds, the center and outside broil elements will turn on and the bake element will turn on at partial power. Check broil elements through window to make sure they are on, then abort self-clean cycle to unlock door.

**CAUTION:** Do not run self-clean cycle check for more than 10 minutes with the oven racks and rack supports inside oven to avoid discoloration due to the high temperature.

Any adjustments necessary that are a result of the installer not following instructions will be the responsibility of the installer, dealer or the end user of the product.

# Service & Registration

If service is required, call your authorized service agency.

Have the following information readily available.

- Model number
- Serial number
- Date purchased
- Name of dealer from whom purchased

Clearly describe the problem that you are having. If you are unable to obtain the name of an authorized service agency, or if you continue to have service problems, contact Viking Range, LLC at 1-888-(845-4641), or write to:

**VIKING RANGE, LLC  
PREFERRED SERVICE  
111 Front Street  
Greenwood, Mississippi 38930 USA**

Record the following information indicated below. You will need it if service is ever required.

The serial number and model number for your appliance are located on the identification plate mounted under the bottom right side of the control panel.

Record the information indicated below. You will need it if service is ever required.

Model number \_\_\_\_\_

Serial number \_\_\_\_\_

Date of purchase \_\_\_\_\_

Date installed \_\_\_\_\_

Dealer's name \_\_\_\_\_

Address \_\_\_\_\_

If service requires installation of parts, use only authorized parts to insure protection under the warranty.

**KEEP THIS MANUAL FOR FUTURE REFERENCE.**

Viking Range, LLC  
111 Front Street  
Greenwood, Mississippi 38930 USA  
(662) 455-1200

For product information,  
call 1-888-(845-4641)  
or visit our web site at [vikingrange.com](http://vikingrange.com) in the US  
or [brigade.ca](http://brigade.ca) in Canada

